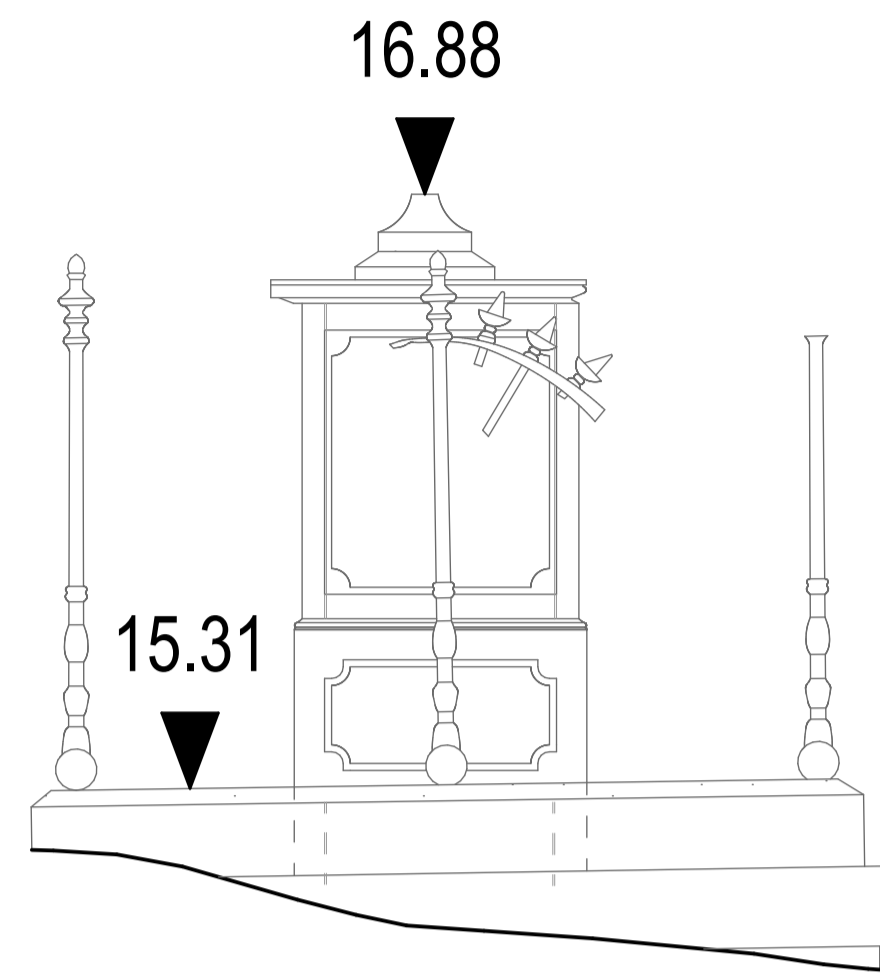


This drawing is © pdp Green Consulting Ltd.

Notes.

1. This drawing is to be read in conjunction with drawings, details and specifications issued for construction purposes as appropriate.
2. The Contractor is responsible for all dimensions and for the correct setting out of the work on site. Only figured dimensions are to be used. Any discrepancies are to be reported before proceeding.
3. All materials and workmanship to comply with current British Standards and Codes of Practice.
4. This drawing is not to be used for construction unless marked in the drawing status box "FOR CONSTRUCTION".
5. The user of the designs and details represented by this document are recommended to ensure that they are fully conversant with the Construction (Design and Management) Regulations 2015 in respect of any construction activities for which this document may be used.

If the user of this document has any doubts as to their statutory obligations in this regard, they should contact pdp Green, on 01872 265400 and ask for the Health and Safety Advisor.



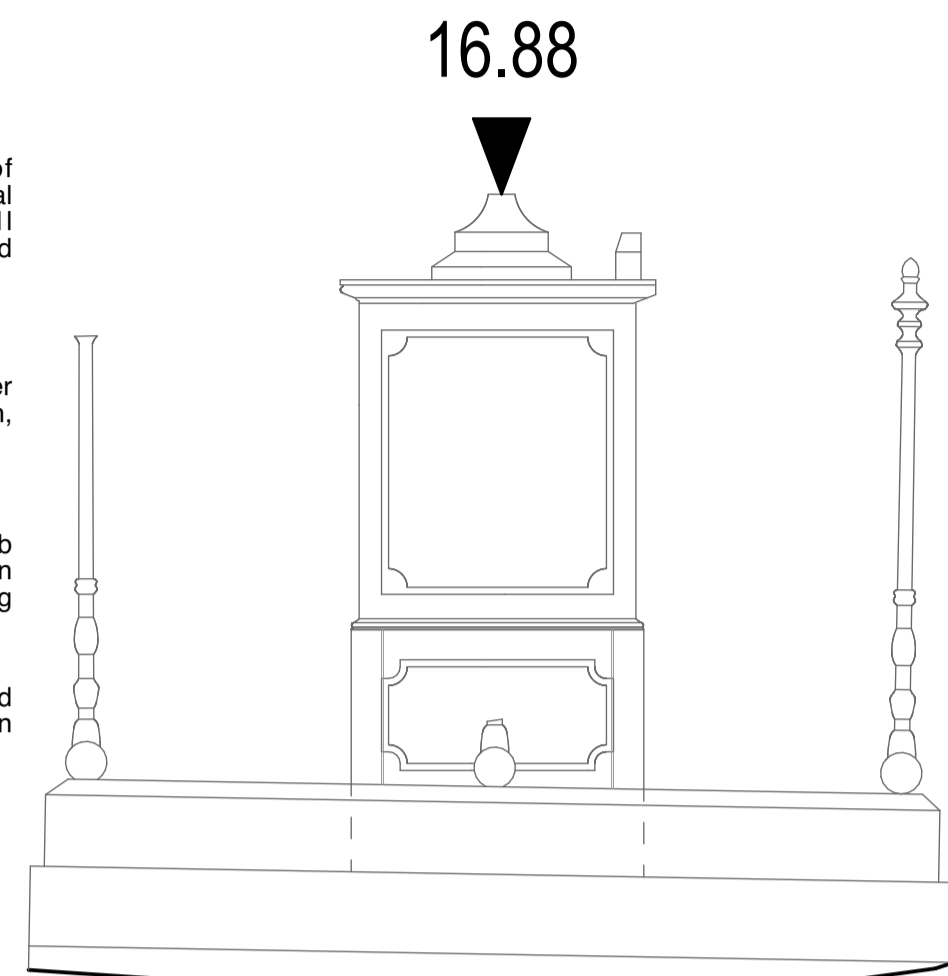
NORTH ELEVATION

Round off sharp edges of broken balusters and horizontal bars. Clean rust off all remaining ironwork and decorate.

Clean stonework (volunteers)
Realign the panels of the upper and lower sections of the plinth, and the lid.

Remove vegetation from slab within kerbs. Repair cracks in slab and infill holes using matching pebbles

Re-align displaced kerbs, and re-point vertical joints between them



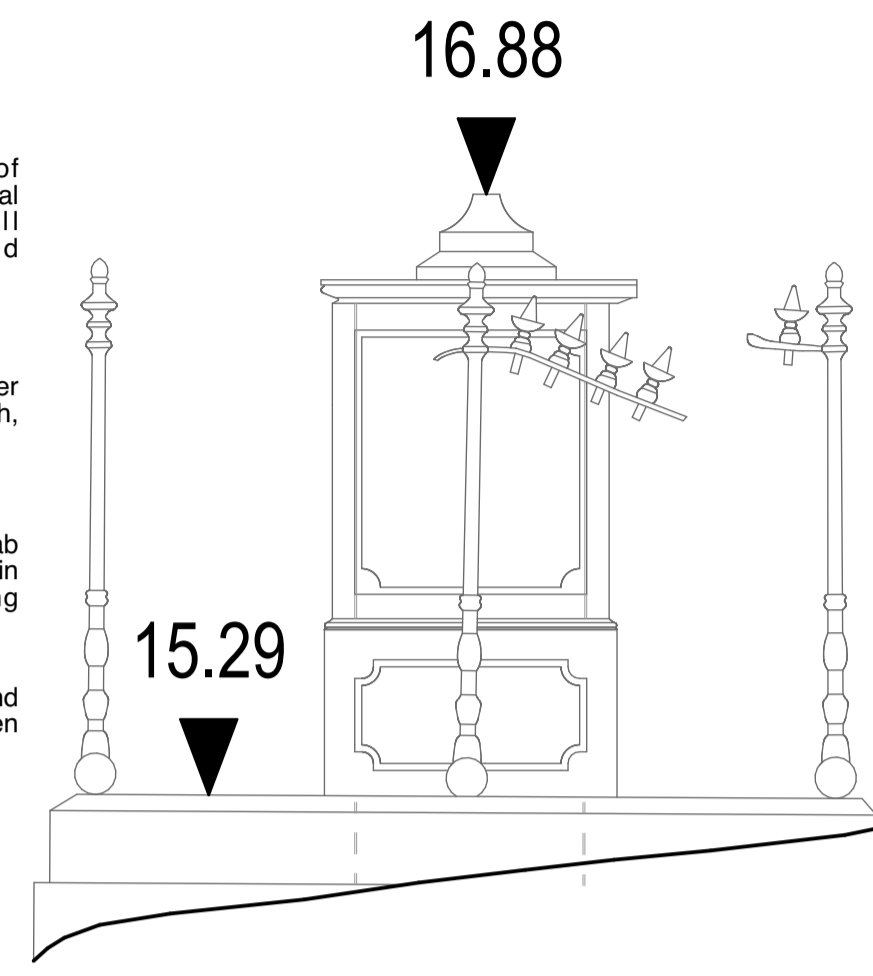
WEST ELEVATION

Round off sharp edges of broken balusters and horizontal bars. Clean rust off all remaining ironwork and decorate.

Clean stonework (volunteers)
Realign the panels of the upper and lower sections of the plinth, and the lid.

Remove vegetation from slab within kerbs. Repair cracks in slab and infill holes using matching pebbles

Re-align displaced kerbs, and re-point vertical joints between them



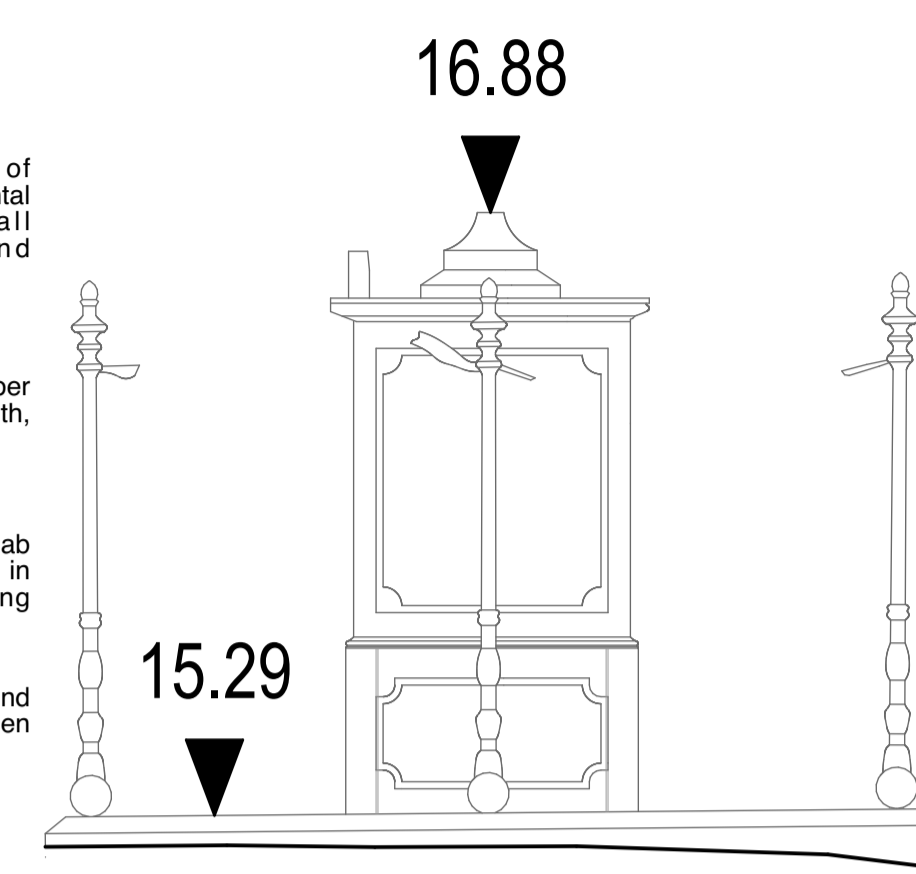
SOUTH ELEVATION

Round off sharp edges of broken balusters and horizontal bars. Clean rust off all remaining ironwork and decorate.

Clean stonework (volunteers)
Realign the panels of the upper and lower sections of the plinth, and the lid.

Remove vegetation from slab within kerbs. Repair cracks in slab and infill holes using matching pebbles

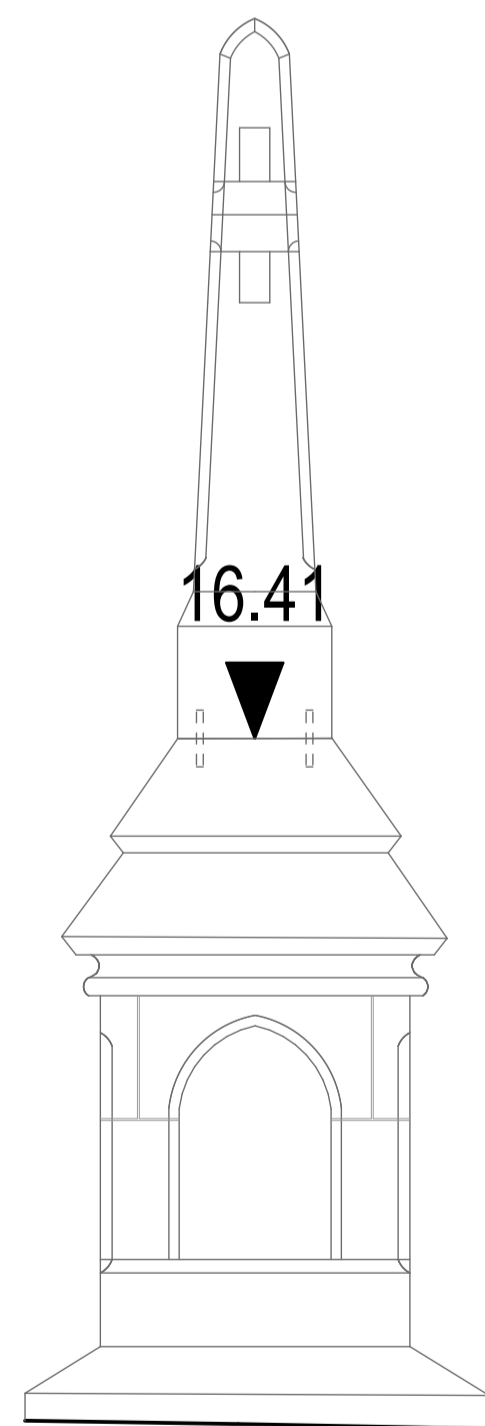
Re-align displaced kerbs, and re-point vertical joints between them



EAST ELEVATION

C04 Poat Family Monument

1:20



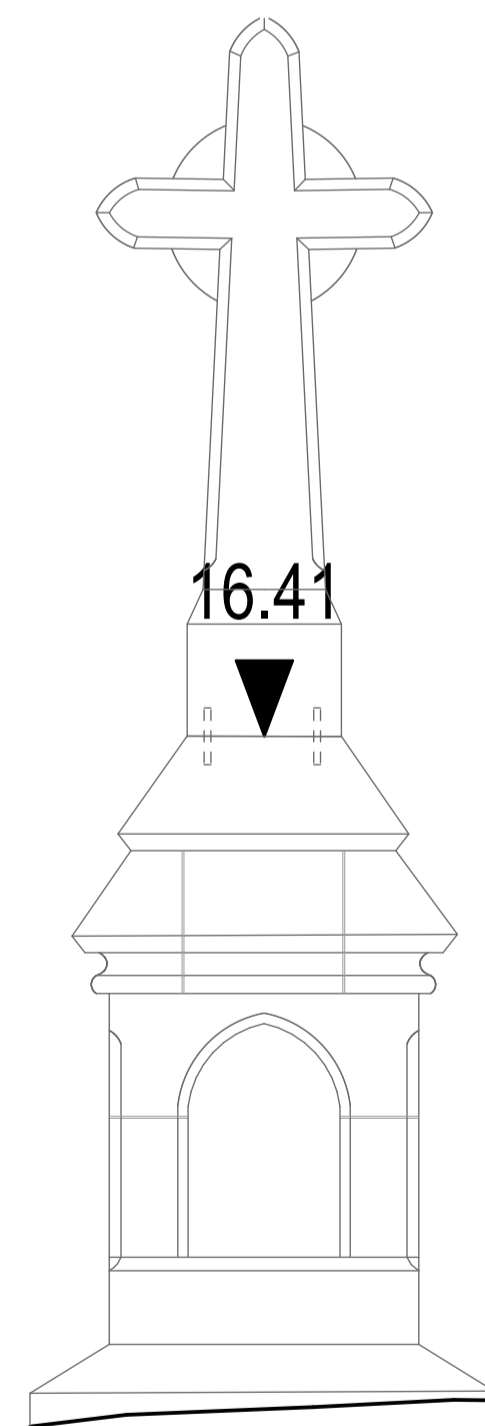
NORTH ELEVATION

Salvage fallen cross from ground to east of monument. Re-erect on top of monument with stainless steel dowels

Secure cross to base with stainless steel dowels

Clean stonework (volunteers)

Repoint all open joints in stonework of monument.



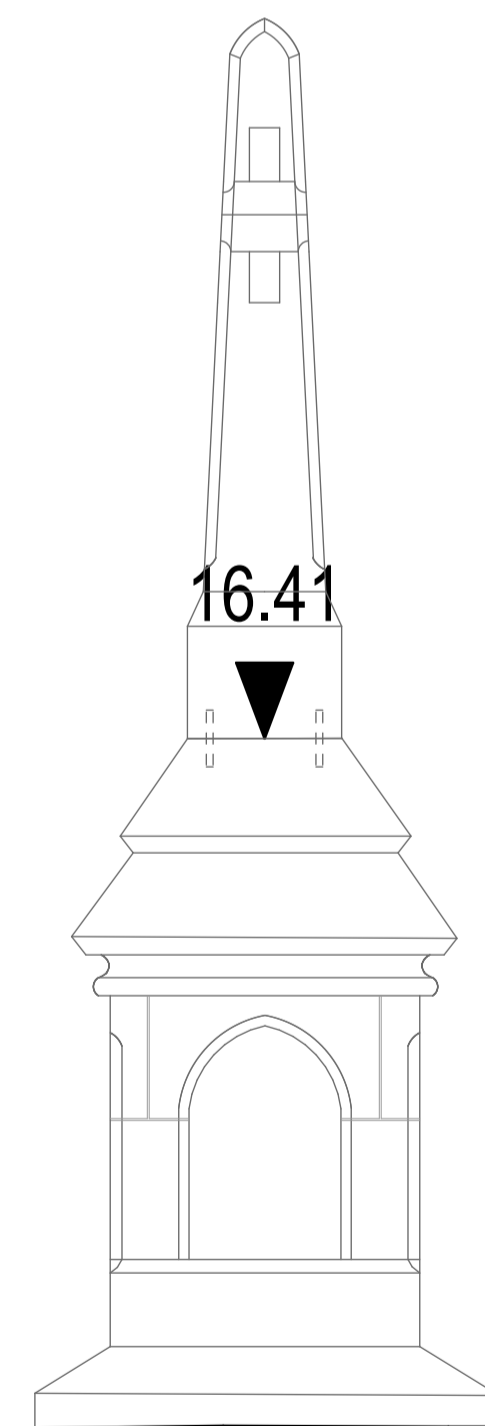
WEST ELEVATION

Salvage fallen cross from ground to east of monument. Re-erect on top of monument with stainless steel dowels

Secure cross to base with stainless steel dowels

Clean stonework (volunteers)

Repoint all open joints in stonework of monument.



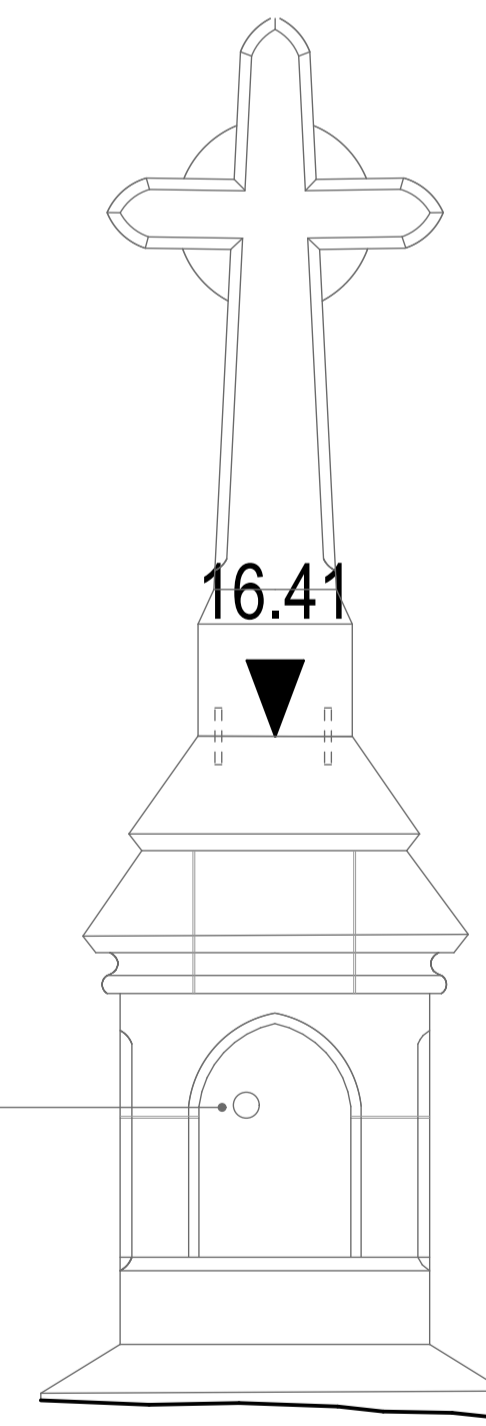
SOUTH ELEVATION

Salvage fallen cross from ground to east of monument. Re-erect on top of monument with stainless steel dowels

Secure cross to base with stainless steel dowels

Clean stonework (volunteers)

Repair hole in marble panel with "plastic" mortar repair
Repoint all open joints in stonework of monument.



EAST ELEVATION

C13 Downing Family Monument

1:20

A	15.02.21	Issue for Tender	RG
*	05.02.21	First Issue	RG
Rev.	Date	Amendments	BY: Q.A.

TENDER

Project Leader:	Designer:	Assistant:
RG	RG	KJ

Drawing:
Proposed Monument Elevations
C04 and C13

Client:
Falmouth Town Council

Job Title:
**Heritage Restoration of Falmouth's
Ponsharden Cemeteries**

Ponsharden

Date: 05.02.2021 Scale: 1:20 @A1 size

pdpGreen Consulting Ltd.
Calenick House
Truro Technology Park
Heron Way, Newham
Truro, Cornwall
TR1 2XN
Tel: 01872 265400
Fax: 01872 276356
Email: reception@pdpgreen.co.uk

Architecture, Structural and Civil Engineering Chartered Practice

Job No: J20-077 Dwg No: 3023 Rev: A