

RC NOTES:

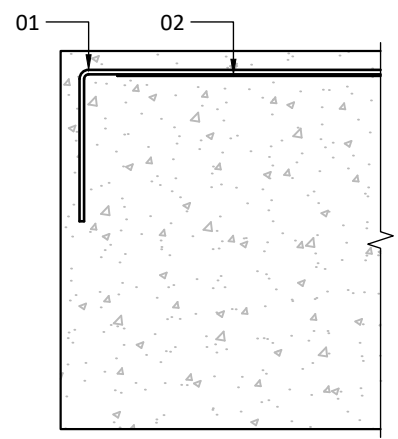
1. FOR REINFORCEMENT SEE BAR BENDING SCHEDULE RC001 BBS
2. TO BE READ IN CONJUNCTION WITH ALL RELEVANT DRAWINGS & SPECIFICATIONS.
3. ALL MATERIAL & WORKMANSHIP TO BE STRICTLY IN ACCORDANCE WITH SPECIFICATION & ALL RELEVANT BRITISH STANDARDS.
4. COVER TOP & SIDES 50mm.
5. COVER BOTTOM 50mm.
6. CONCRETE TO GRADE RC 25/30.
7. MINIMUM LAPS:
 - H10 - 425mm
 - H12 - 500mm
 - H16 - 640mm
 - H20 - 825mm
 - H25 - 1025mm
7. ALL REINFORCEMENT TO BE HIGH YIELD TYPE B500A, B500B OR B500C RIBBED BARS TO BS 4449:2005.
8. BENDING & SCHEDULING OF REINFORCEMENT TO BE IN ACCORDANCE WITH BS 8666:2005.
9. ABBREVIATIONS USED:
 - T - TOP
 - B - BOTTOM

FOR CONSTRUCTION

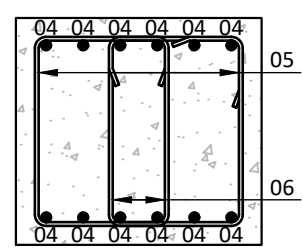
RC GROUND BEAM BAR PLAN
(1:50)



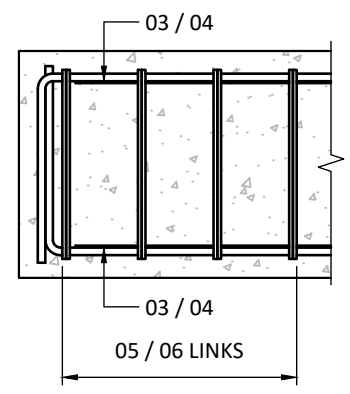
SECTION 1-1
(1:20)



SECTION 2-2
(1:20)



SECTION 3-3
(1:20)



SECTION 4-4
(1:20)

THIS ISSUE	CONSTRUCTION	31.07.19	CONSTRUCTION ISSUE	OJF/CCW/
Revision	Reason for Issue	Issue Date	Revision Notes	DRW/CHK

Title:
RC GROUND BEAM BAR PLAN
& SECTIONS

Project N.o: 18234
Drawing N.o: RC001
Drawn: OJF
Scale @ A3: AS SHOWN

Project:
LEIGH-ON-SEA COMMUNITY CENTRE
71-73 ELM ROAD
SS9 1SP

Client:
LEIGH-ON-SEA TOWN COUNCIL

CRUCIS DESIGNS LIMITED
consulting civil & structural engineers
Suite 1, Business Centre, 8 Madeira Avenue,
Leigh-on-Sea, Essex, SS9 3EB
email: info@crucisdesigns.com tel: 01702 416 114

