

C.D.M. Regulations 2015

In line with the above regulations we are obliged to inform the Client of the risks that may be encountered in the construction of these works. All design work has been carried out with Health and Safety aspects given full consideration.

Wherever possible risks have been eliminated from the design, however due to the very nature of this type of work it is not possible to remove all the risks from the design.

We would also respectfully remind the Client of his obligations to take all reasonable in ensuring that only competent contractors who have a valid safety policy are employed.

NOTES

This drawing to be read in conjunction with the Architects and Service Engineers (M&E) drawings and the appropriate specifications.

Work only to figured dimensions, do not scale. For full dimensioned plans, elevations, etc. refer to Architects drawings. If in doubt, then ask.!

Steelwork shall comply with the requirements of BS.5950: Parts 1 and 2 and with the Engineer's specification. Reference shall also be made to the 5th National Structural Steelwork Specification.

Unless otherwise specified, all hot rolled structural steel shall be grade S275 and shall comply with BS EN 10025; Tolerances and dimensions of all hot rolled sections shall comply with the appropriate Standard.

Ordinary bolts, nuts and washers shall comply with BS.4190; provide 2-No. M16 (8.8) bolts, minimum, to connections unless noted otherwise.

All welding consumables for metal arc welding of steels shall comply with the appropriate Standard with all welders approved/certified to BS EN 287-1. All welds to be continuous 6mm full profile fillet welds unless noted otherwise.

The Contractor/Fabricator is responsible for obtaining all necessary particulars in order to prepare all shop detail drawings. These drawings are to be submitted to the Engineer for his comments prior to fabrication. The Fabricator is responsible for the accuracy of all shop detail drawings, dimensions and calculations.

All steelwork to be shot blast to SA2 1/2 and coated with 2 coats zinc phosphate primer any damage to be made good on site.

Refer to architects drawings & specifications for details of any fire protection and surface finishes

B	152 UB89 & timber bearer Omitted (mm)	06.02.20
A	152 UB89 & timber bearer Omitted (mm)	28.01.20
P1	Preliminary for comments (mm)	19.12.19

revision suffix	Revision details	Date
-----------------	------------------	------




 www.smasltd.com

Drawing Stage		Drawing Status	
Draft	Comments	Tender	
Issued	Information	Construction	
Preliminary	Approval	As Built	

This drawing is not authorised unless signed as checked & approved

Client
Broughton-in-Amounderness Parish Council

Job title
**Toll Bar Cottage
476 Garstang Road
Broughton**

Drawing title
**Steelwork Details
First Floor**

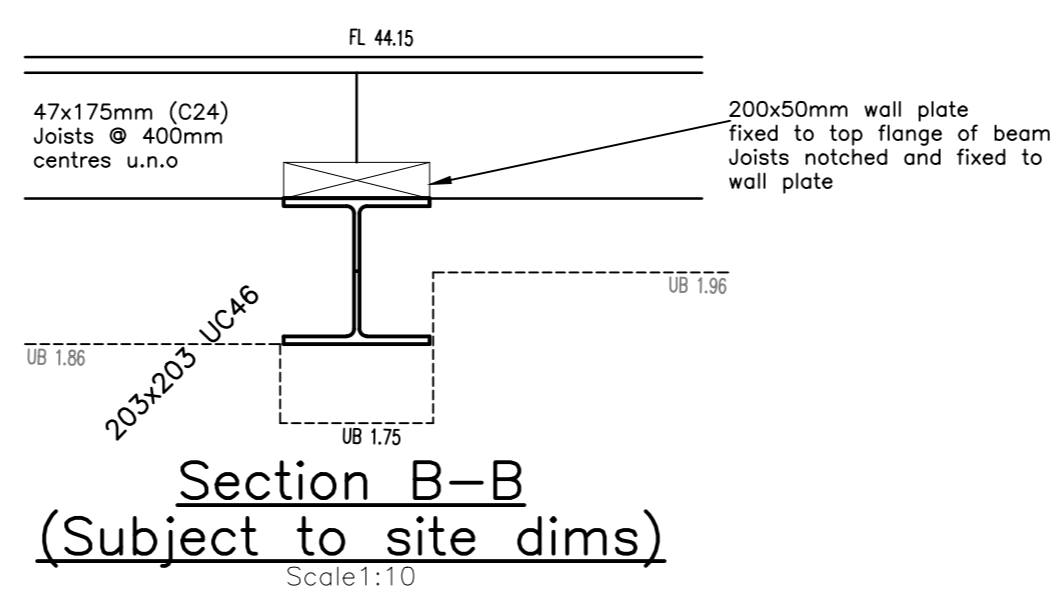
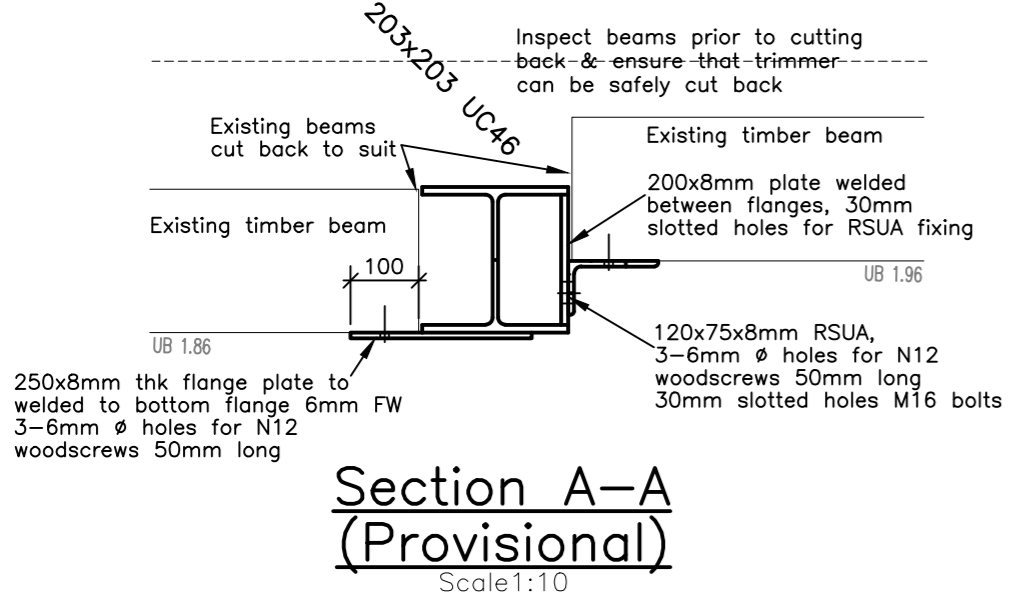


CONSULTING ENGINEERS
 CIVIL • STRUCTURAL
 GEOTECHNICAL • ENVIRONMENTAL

Chkd	Appvd	date	scale	drawn
		19.12.19	1:50, 1:20 @ A2	MM

DRAWING No	19192/01	rev	B
------------	-----------------	-----	----------

© This drawing is the property of REFA and should not be copied, used or its contents divulged without prior written consent. Any discrepancies to this drawing discovered on site should be reported to REFA immediately. IF IN DOUBT ASK!



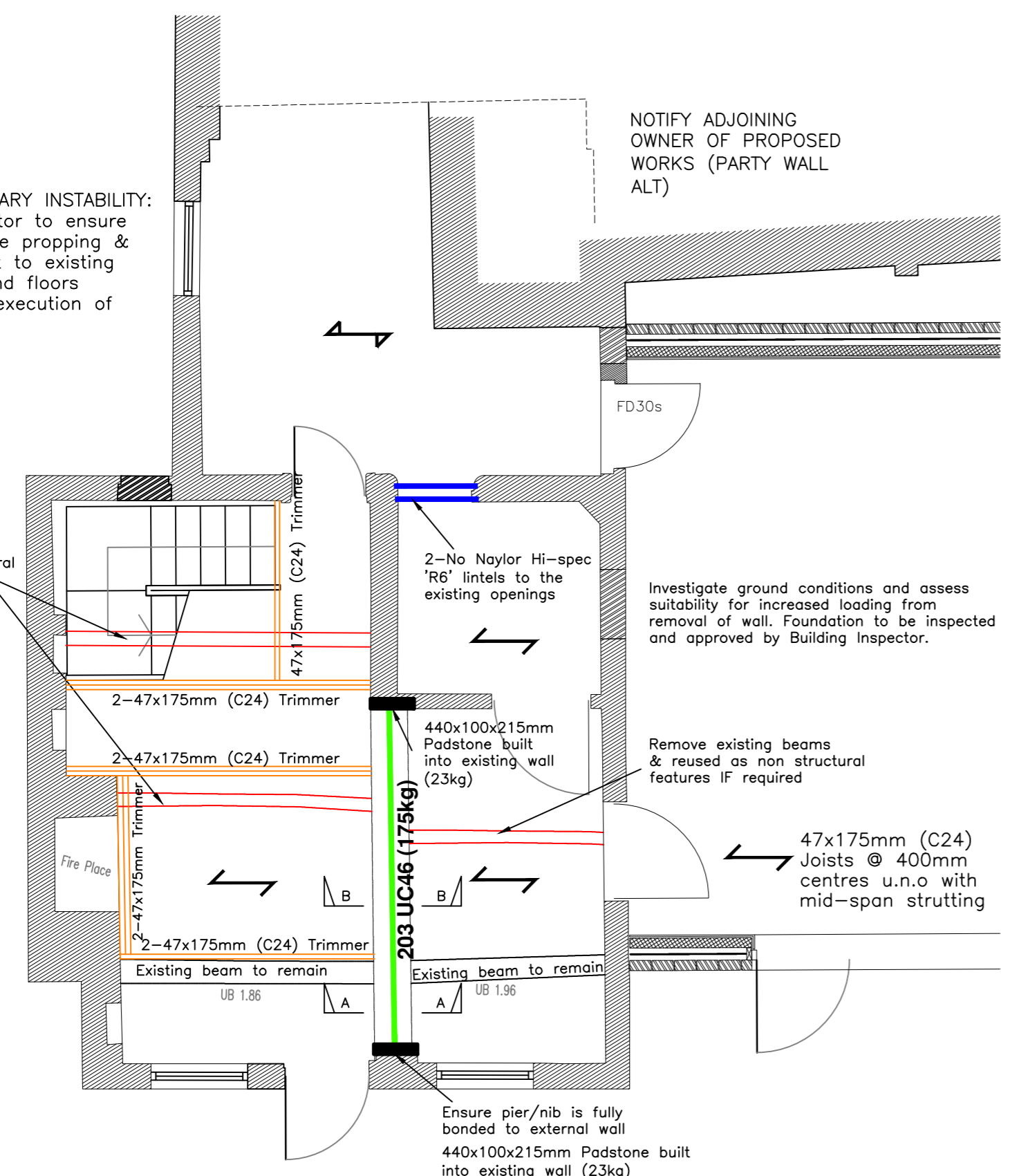
ALL DIMENSIONS TO BE CHECKED ON SITE BY STEEL CONTRACTOR PRIOR TO BEGINNING ANY STEELWORK FABRICATIONS

EXISTING WALLS & FLOORS TO BE ADEQUATELY PROPPED AND SUPPORTED BOTH SIDES WHILE THE NEW BEAMS ARE LIFTED INTO PLACE. PROPS AND SUPPORT TO BE DESIGNED AND INSTALLED BY SUITABLE CONTRACTOR

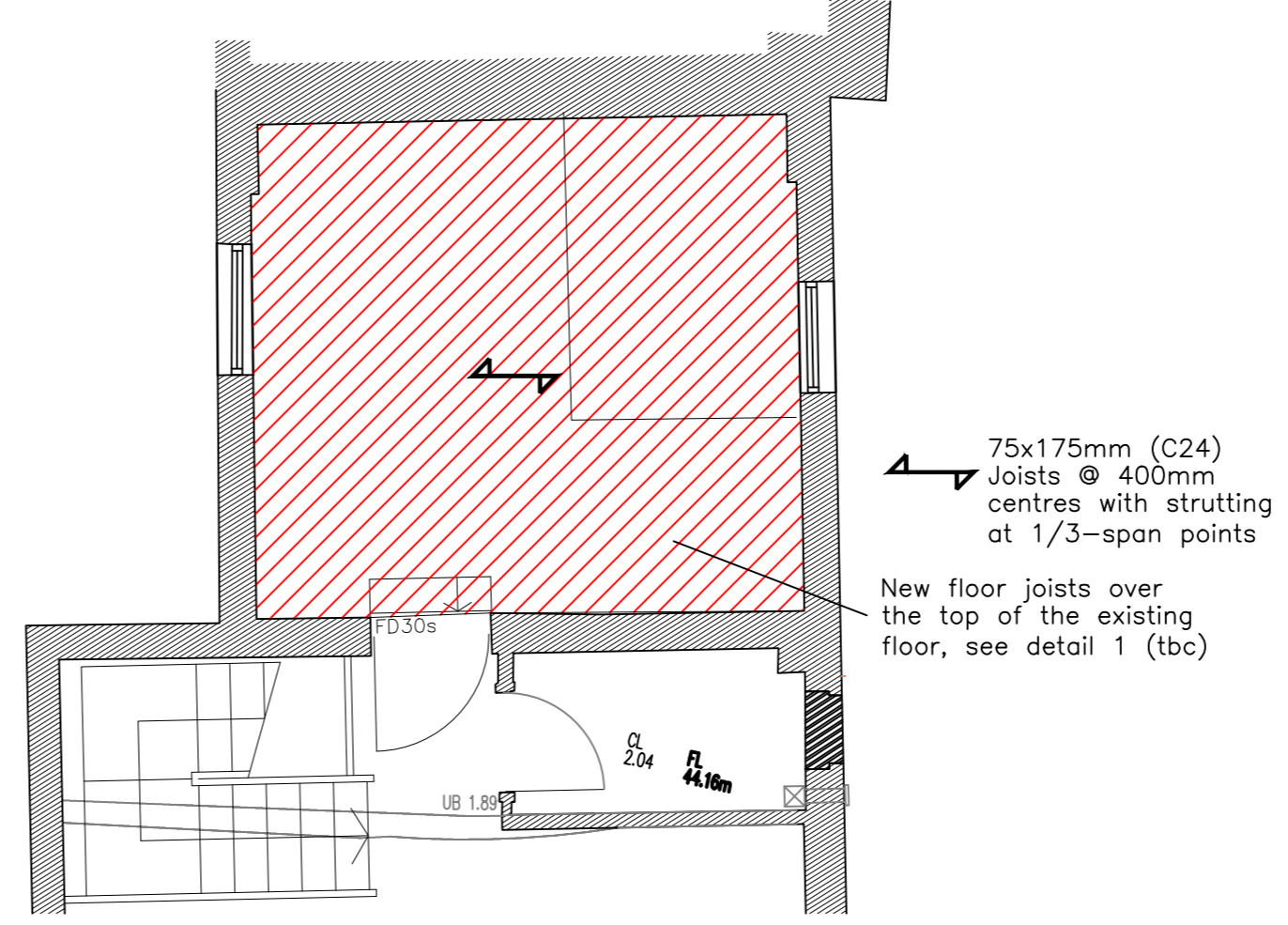
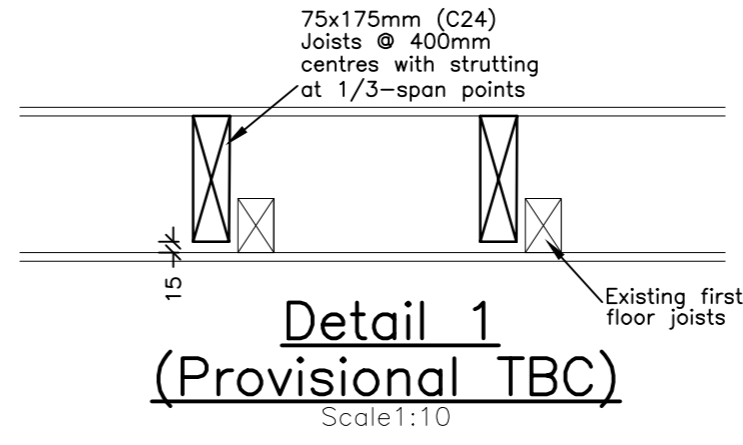
RESPONSIBILITY FOR THE TEMPORARY SUPPORTS OF THE STRUCTURE DURING THE WORKS, RESPONSIBILITY OF THE BEAM INSTALLATION REMAINS WITH THE CONTRACTOR AT ALL TIMES.

ALL ELEMENTS OVER 20KG MUST REQUIRE SPECIALIST HANDLING TECHNIQUES

TEMPORARY INSTABILITY: Contractor to ensure adequate propping & restraint to existing walls and floors during execution of works



Ground Floor Plan Showing Steelwork at First Floor Level
Scale 1:50



Part First Floor Plan Showing New Floor Over Existing First Floor
Scale 1:50