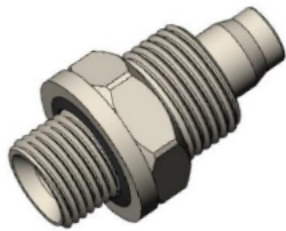
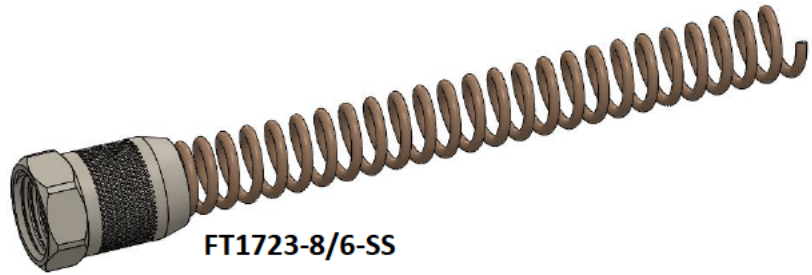


Detection Line Parts List

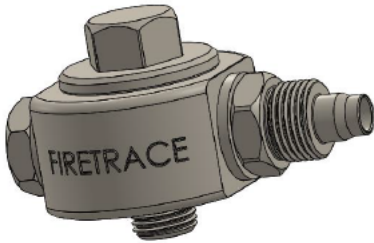
PART NUMBER	DESCRIPTION
FT1511-8/6-1/8S	Male-Tube/Trace 8mm Trace 1/8" Male – 8mm Special
FT1723-8/6-SS	Anti-Kink Spring Nut 8mm Stainless Steel
FT0269/1/M	Banjo Tee Assembly for Valve Male
FT0118/8	End of Line – 12bar c/w Integrated 8mm
FT0253/8	8mm Blank/Stop End



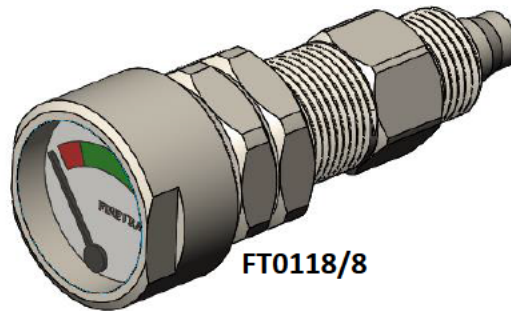
FT1511-8/6-1/8-S



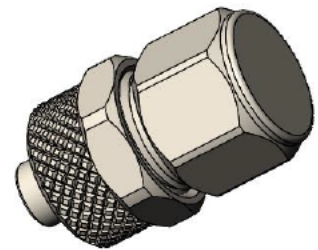
FT1723-8/6-SS



FT0269/1/M



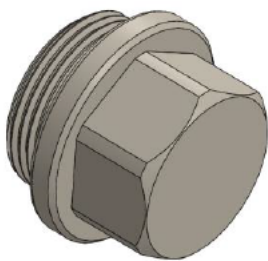
FT0118/8



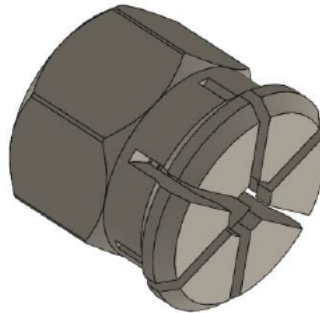
FT0253/8

Discharge Line Parts List

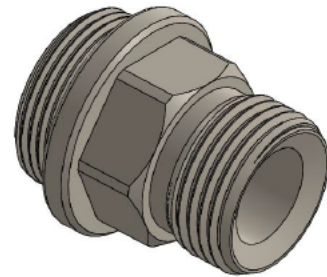
PART NUMBER	DESCRIPTION
FTILPINTHTBI/8	ILP High-Throughput Bi-Directional M18x1 Plug
FT0284/HT	High-Throughput Diffuser 3/8" BSP
FTILPINTHTBI/11	ILP High-Throughput Bi-Directional Valve M18x1 – 3/8" Adapter
FT0260/11	1m 3/8" Flexi Hose 90° Female to Straight Female
FT0260/12	3m 3/8" Flexi Hose 90° Female to Straight Female
FT0260/13	4m 3/8" Flexi Hose 90° Female to Straight Female
FT1210-10	3/8" Tee 10mm 10mm-10mm



FTILPINTHTBI/8



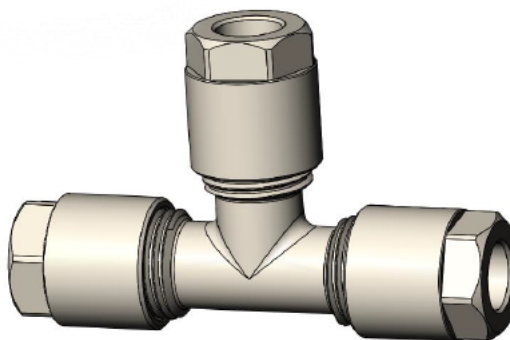
FT0284/HT



FTILPINTHTBI/11



FT0260/11 - FT0260/12 - FT0260/13



FT1210-10



ABC FAVORIT X 90

Safety Data Sheet

according to Regulation (EC) No. 1907/2006 (REACH)

Date of issue: 02.11.2015 Revision date: 02.11.2015

Version: 1.0

SECTION 1: Identification of the substance/mixture and of the company/undertaking

1.1. Product identifier

Trade name : ABC FAVORIT X 90

1.2. Relevant identified uses of the substance or mixture and uses advised against

1.2.1. Relevant identified uses

Use of the substance/mixture : Fire extinguishing agent
ABC-powder

1.2.2. Uses advised against

No additional information available

1.3. Details of the supplier of the safety data sheet

Supplier

RÜHL FEUERLÖSCHMITTEL GmbH
Hugenottenstr. 105
61381 Friedrichsdorf - (Deutschland)
T +49 6172 733 225 - F +49 6172 733 132

Email competent person

sds@kft.de

1.4. Emergency telephone number

Emergency number : GIZ-Nord, Göttingen
Germany
+49 551 19240

SECTION 2: Hazards identification

2.1. Classification of the substance or mixture

Classification according to Regulation (EC) No. 1272/2008 [CLP]

Not classified

2.2. Label elements

Labelling according to Regulation (EC) No. 1272/2008 [CLP]

No labelling applicable

2.3. Other hazards

Other hazards not contributing to the classification : Repeated dermal contact with material can lead to defatting of the skin. Drying up of the skin.

SECTION 3: Composition/information on ingredients

3.1. Substance

Not applicable

3.2. Mixture

Comments : Blend based on :
ammonium salts

Name	Product identifier	%	Classification according to Regulation (EC) No. 1272/2008 [CLP]
ammonium dihydrogenorthophosphate	(CAS No) 7722-76-1 (EC no) 231-764-5 (REACH-no) 01-2119488166-29	75 - 100	Not classified

Full text of H-statements: see section 16

SECTION 4: First aid measures

4.1. Description of first aid measures

First-aid measures general : In case of doubt or persistent symptoms, consult always a physician.

ABC FAVORIT X 90

Safety Data Sheet

according to Regulation (EC) No. 1907/2006 (REACH)

First-aid measures after inhalation	: Move the affected person away from the contaminated area and into the fresh air.
First-aid measures after skin contact	: Wash with plenty of soap and water.
First-aid measures after eye contact	: Rinse cautiously with water for several minutes. Consult an ophthalmologist if irritation persists.
First-aid measures after ingestion	: Rinse mouth. Go into open air and ventilate suspected area. If you feel unwell, seek medical advice.

4.2. Most important symptoms and effects, both acute and delayed

No additional information available

4.3. Indication of any immediate medical attention and special treatment needed

Treat symptomatically.

SECTION 5: Firefighting measures

5.1. Extinguishing media

Suitable extinguishing media	: The product is not flammable. Use extinguishing media appropriate for surrounding fire.
Unsuitable extinguishing media	: No information available.

5.2. Special hazards arising from the substance or mixture

Hazardous decomposition products in case of fire	: Carbon dioxide. Carbon monoxide. Toxic fumes may be released.
--	---

5.3. Advice for firefighters

Protection during firefighting	: Do not enter fire area without proper protective equipment, including respiratory protection.
--------------------------------	---

SECTION 6: Accidental release measures

6.1. Personal precautions, protective equipment and emergency procedures

6.1.1. For non-emergency personnel

Protective equipment	: Concerning personal protective equipment to use, see section 8.
Measures in case of dust release	: Provide adequate ventilation to minimize dust concentrations.

6.1.2. For emergency responders

Protective equipment	: Concerning personal protective equipment to use, see section 8.
Emergency procedures	: Ventilate area.

6.2. Environmental precautions

Prevent entry to sewers and public waters. Avoid release to the environment.

6.3. Methods and material for containment and cleaning up

For containment	: Minimize generation of dust.
Methods for cleaning up	: Collect spillage. In case of important spillage : Recover mechanically the product.

6.4. Reference to other sections

See Heading 7. See Heading 8. See Heading 13.

SECTION 7: Handling and storage

7.1. Precautions for safe handling

Precautions for safe handling	: Wash hands and other exposed areas with mild soap and water before eating, drinking or smoking and when leaving work. Avoid dust formation. Do not breathe dust. Avoid contact with skin, eyes and clothing.
Hygiene measures	: Contaminated work clothing should not be allowed out of the workplace. Wash contaminated clothing before reuse.

7.2. Conditions for safe storage, including any incompatibilities

Storage conditions	: Keep only in original container. Store in a dry place.
Incompatible materials	: Strong alkalis. BC-powder.
Prohibitions on mixed storage	: Keep away from food, drink and animal feeding stuffs.

7.3. Specific end use(s)

No additional information available

SECTION 8: Exposure controls/personal protection

8.1. Control parameters

No additional information available

8.2. Exposure controls

Appropriate engineering controls	: Ensure good ventilation of the work station. Avoid dust formation.
----------------------------------	--

ABC FAVORIT X 90

Safety Data Sheet

according to Regulation (EC) No. 1907/2006 (REACH)

Hand protection : Chemical resistant PVC gloves (to European standard EN 374 or equivalent)
Respiratory protection : Long term exposure. If dust are formed : (FFP2)

SECTION 9: Physical and chemical properties

9.1. Information on basic physical and chemical properties

Physical state : Solid
Appearance : Dust.
Colour : white.
Odour : No data available
Odour threshold : No data available
pH : Not applicable
pH solution : 4 - 4,5 (10%)
Relative evaporation rate (butylacetate=1) : No data available
Melting point : > 200 °C
Freezing point : No data available
Boiling point : No data available
Flash point : Not applicable
Auto-ignition temperature : No data available
Decomposition temperature : No data available
Flammability (solid, gas) : No data available
Vapour pressure : Not applicable
Relative vapour density at 20 °C : Not applicable
Relative density : No data available
Density : 1,8 g/cm³ 20 °C
Solubility : No data available
Log Pow : No data available
Viscosity, kinematic : Not applicable
Viscosity, dynamic : Not applicable
Explosive properties : No data available
Oxidising properties : Non oxidizing.
Explosive limits : No data available

9.2. Other information

No additional information available

SECTION 10: Stability and reactivity

10.1. Reactivity

No additional information available.

10.2. Chemical stability

No decomposition if stored normally.

10.3. Possibility of hazardous reactions

No dangerous reactions known.

10.4. Conditions to avoid

No additional information available.

10.5. Incompatible materials

Strong alkalis. BC-powder.

10.6. Hazardous decomposition products

Under normal conditions of storage and use, hazardous decomposition products should not be produced.

SECTION 11: Toxicological information

11.1. Information on toxicological effects

Acute toxicity : Not classified (Based on available data, the classification criteria are not met)

ammonium dihydrogenorthophosphate (7722-76-1)	
LD50 oral rat	> 2000 mg/kg
LD50 dermal rat	> 5000 mg/kg
LC50 inhalation rat (mg/l)	> 5 mg/l/4h Dust

ABC FAVORIT X 90

Safety Data Sheet

according to Regulation (EC) No. 1907/2006 (REACH)

Skin corrosion/irritation	: Not classified (Based on available data, the classification criteria are not met) pH: Not applicable
Serious eye damage/irritation	: Not classified (Based on available data, the classification criteria are not met) pH: Not applicable
Respiratory or skin sensitisation	: Not classified (Based on available data, the classification criteria are not met)
Germ cell mutagenicity	: Not classified (Based on available data, the classification criteria are not met)
Carcinogenicity	: Not classified (Based on available data, the classification criteria are not met)
Reproductive toxicity	: Not classified (Based on available data, the classification criteria are not met)
Specific target organ toxicity (single exposure)	: Not classified (Based on available data, the classification criteria are not met)
Specific target organ toxicity (repeated exposure)	: Not classified (Based on available data, the classification criteria are not met)
Aspiration hazard	: Not classified (Based on available data, the classification criteria are not met)

SECTION 12: Ecological information

12.1. Toxicity

ammonium dihydrogenorthophosphate (7722-76-1)	
LC50 fish 1	> 85,9 mg/l Oncorhynchus mykiss (Rainbow trout)
EC50 Daphnia 1	1790 mg/l daphnia
EC50 72h algae (1)	> 97,1 mg/l

12.2. Persistence and degradability

ammonium dihydrogenorthophosphate (7722-76-1)	
Persistence and degradability	Not applicable.

12.3. Bioaccumulative potential

ammonium dihydrogenorthophosphate (7722-76-1)	
Log Pow	Not applicable
Log Kow	Not applicable

12.4. Mobility in soil

No additional information available

12.5. Results of PBT and vPvB assessment

No additional information available

12.6. Other adverse effects

No additional information available

SECTION 13: Disposal considerations

13.1. Waste treatment methods

Waste disposal recommendations	: Dispose in a safe manner in accordance with local/national regulations.
European List of Waste (LoV) code	: 16 05 09 - discarded chemicals other than those mentioned in 16 05 06, 16 05 07 or 16 05 08

SECTION 14: Transport information

In accordance with ADR / RID / IMDG / IATA / ADN

ADR	IMDG	IATA	ADN	RID
14.1. UN number				
Not regulated for transport				
14.2. UN proper shipping name				
Not applicable	Not applicable	Not applicable	Not applicable	Not applicable
14.3. Transport hazard class(es)				
Not applicable	Not applicable	Not applicable	Not applicable	Not applicable
Not applicable	Not applicable	Not applicable	Not applicable	Not applicable
14.4. Packing group				
Not applicable	Not applicable	Not applicable	Not applicable	Not applicable
14.5. Environmental hazards				
Dangerous for the environment : No	Dangerous for the environment : No Marine pollutant : No	Dangerous for the environment : No	Dangerous for the environment : No	Dangerous for the environment : No
No supplementary information available				

ABC FAVORIT X 90

Safety Data Sheet

according to Regulation (EC) No. 1907/2006 (REACH)

14.6. Special precautions for user

- Overland transport

Transport regulations (ADR) : Not applicable

- Transport by sea

Transport regulations (IMDG) : Not applicable

- Air transport

Transport regulations (IATA) : Not applicable

- Inland waterway transport

Transport regulations (ADN) : Not applicable

- Rail transport

Transport regulations (RID) : Not applicable

14.7. Transport in bulk according to Annex II of MARPOL 73/78 and the IBC Code

Not applicable

SECTION 15: Regulatory information

15.1. Safety, health and environmental regulations/legislation specific for the substance or mixture

15.1.1. EU-Regulations

Contains no REACH substances with Annex XVII restrictions

Contains no substance on the REACH candidate list

Contains no REACH Annex XIV substances

15.1.2. National regulations

No additional information available

15.2. Chemical safety assessment

A safety data sheet is not required for this product under Article 31 of REACH. This Product Safety Information Sheet has been created on a voluntary basis

No chemical safety assessment has been carried out

SECTION 16: Other information

Abbreviations and acronyms:

LD50	Median lethal dose
ADR	European Agreement concerning the International Carriage of Dangerous Goods by Road
ADN	European Agreement concerning the International Carriage of Dangerous Goods by Inland Waterways
IMDG	International Maritime Dangerous Goods
IATA	International Air Transport Association
RID	Regulations concerning the International Carriage of Dangerous Goods by Rai
REACH	Registration, Evaluation, Authorisation and Restriction of Chemicals Regulation (EC) No 1907/2006
vPvB	Very Persistent and Very Bioaccumulative
PBT	Persistent Bioaccumulative Toxic
GHS	Globally Harmonised System of Classification and Labelling of Chemicals
CAS	Chemical Abstract Service

Data sources : REGULATION (EC) No 1272/2008 OF THE EUROPEAN PARLIAMENT AND OF THE COUNCIL of 16 December 2008 on classification, labelling and packaging of substances and mixtures, amending and repealing Directives 67/548/EEC and 1999/45/EC, and amending Regulation (EC) No 1907/2006.

Department issuing data specification sheet: : KFT Chemieservice GmbH
Im Leuschnerpark, 3 64347 Griesheim
Postfach 1451 64345 Griesheim
Germany

Phone: +49 6155 86829-0 Fax: +49 6155 86829-25
Safety Data Sheet Service: +49 6155 86829-22

ABC FAVORIT X 90

Safety Data Sheet

according to Regulation (EC) No. 1907/2006 (REACH)

This information is based on our current knowledge and is intended to describe the product for the purposes of health, safety and environmental requirements only. It should not therefore be construed as guaranteeing any specific property of the product

AUTOMATIC FIRE SUPPRESSION SYSTEMS

Operating Manual:

Forman Indirect Low Pressure Integrated High Throughput Bi-Directional Fire Suppression System for Engine Compartment

Please revise this manual before carrying
out the installation of this system

Forman systems should only be installed by trained engineers