

PLANT SCHEDULE							
SPECIES	Girth	Height	Root	Pot Size	Habit	Breaks	Nos.
TREES							
Acer campestre 'Streetwise'	14-16cm	4.25-6.0m	CG	Hstd			1
SHRUBS							
Hebe 'Mrs Winder'		40-60cm	CG	3L			7
Lavandula 'Hidcote'		20-30cm	CG	3L			6
Senecio 'Drysedale'		30-40cm	CG	3L			6
ORNAMENTAL HEDGE							
Prunus lusitanica		40-60cm	CG	3H			122

Topsail and Subsoil
Do not use subsoil contaminated with with bricks, concrete, hardcore, rubbish or other materials that are corrosive, explosive or flammable, hazardous to human or animal life and are detrimental to plant life.
Subsoil shall be excavated and or placed to required profiles and levels. When ground conditions are reasonably dry, subsoils shall be loosened to a depth pf 300mm and all stones larger than 50mm shall be removed.

Where existing topsoil on site is deficient and requires topping up, all imported topsoil shall be in accordance with BS3882:2015 and with NHBC requirements.
Do not use topsoil contaminated with with subsoil, rubbish or other materials that are corrosive, explosive or flammable, hazardous to human or animal life and are detrimental to plant life.
Topsoil shall be stored in heaps no higher than 1m and wider than 2m and shall be protected from contamination and compaction.

Following spreading, topsoil areas shall be cultivated to suitable depth and filth when weather is suitably dry and the surface shall be left regular and even, levels shall be 25mm above adjacent kerbs and 50mm above lawns. Any visible weeds, roots and large stones shall be removed Do not compact topsoil and ensure a friable texture of separate visible crumbs.
Recommended depth after settlement:
Rear gardens: 100mm
Shrub Areas: 450mm

Tree and Shrub Planting General
Prior to planting topsoil shall be moist, friable and not waterlogged.
Carry out planting during suitable weather conditions, do not plant during frozen or windy conditions.
Where beds are overgrown with weeds apply herbicide in accordance with manufacturers recommendation. Allow fallow period before cultivation.
Container grown plants can be planted at any time of year if ground and weather conditions are favourable. Bare root trees and shrubs can be planted from late October to March.
All plants shall be as specified, undamaged, sturdy, healthy and vigorous. They shall be free from pests, diseases, discoloration and physiological disorders. Name, form, dimensions, provenance and other criteria shall be as defined in The National Plant Specification.
All plant handling shall be in accordance with HTA 'Handling and Establishing Landscape Plants'.
All plants shall be stored in a secure environment and protected from site operations and over exposure to adverse weather conditions.

Where topsoil is compacted it shall be broken up to a depth of no less than 350mm into particles of 2-8mm, with the surface left regular and even. Levels shall be 25mm above kerbs and hardstandings and 50mm above adjacent grass areas. Remove all visible weeds, roots and large stones exceeding 30mm. Do not cultivate soil within rootspread of existing trees and shrubs.
All plants shall be planted upright or well balanced with best side to front.
MycorForce Transplanter shall be spread around the roots of each plant during planting at a rate specified by the supplier.

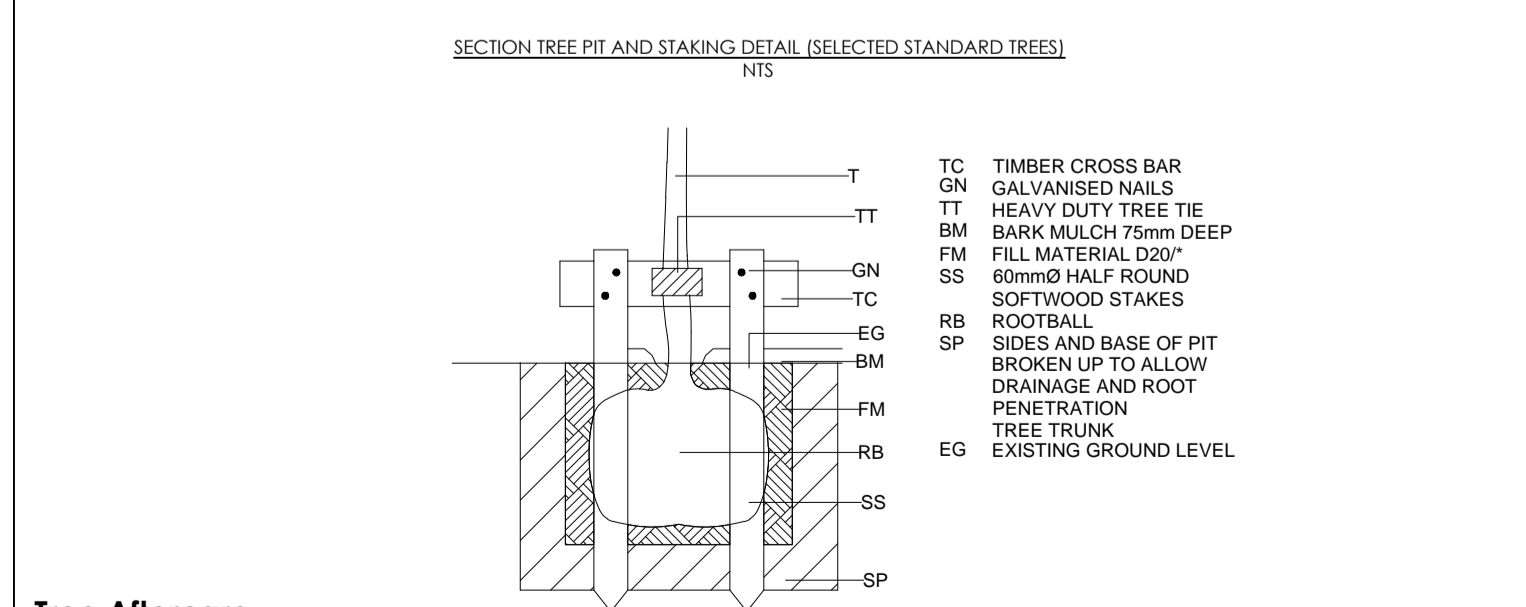
Works Cleanliness
Remove any soil and arisings from adjacent hard surfaces and leave works in a clean, tidy fashion at completion.

Watering
Water all plants immediately after planting, thoroughly and without damaging or displacing plants or soil.

Proposed Tree Planting (General)
The excavated hole shall be of sufficient size to accommodate the root-ball or container, allowing approximately 500mm clearance.
Before planting the sides of the pit shall be broken up and the base dug over to a depth of 150mm to improve drainage. The tree will be planted to the same depth as it was in the nursery. Backfill will be firmed in around the rootball to prevent any air pockets.
The pit shall be backfilled with a % mix of good quality topsoil and an non peat based compost. 140gms of Enmag granular slow-release fertiliser shall be incorporated to the fill mixture.

Root Barriers
Where an installed rootball is within 3m of an existing underground service route install protective root barrier with sides vertical and finished 75mm below finished ground level. To be Greenleaf ReRoot 2000 or similar approved.

Trees in soft ground
Trees shall be double staked and fixed to horizontal crossbar using rubber strapping, with rubber block positioned between the tree and cross bar.
Stakes shall be 60mm diameter treated softwood, driven firmly into ground either side, and not through the rootball, with tree central between the stakes. The above ground height of the stake should be a minimum of a third of the stem high. All trees to receive perforated watering pipes surrounding root ball.



Tree Aftercare
Any necessary formative pruning will be carried out and where appropriate woodchip/bark mulch applied to a depth of 75mm, and to at least the edge of the planting pit.
A properly planned maintenance programme should be kept up until successful establishment of the trees. This may include watering when necessary, checking of the support systems, weed control and further mulching.

The copyright to this drawing belongs to Ian Stemp Landscape Associates and shall not be reproduced without their written consent.
Do not scale from this drawing.

KEY & NOTATION

Proposed Areas of Shrub Planting
Shrub areas to have minimum 300mm depth of good quality imported cultivated topsoil, free from bricks, large stones and other rubbish.

Ornamental Hedge
Ensure all plants are bushy to provide joined up length of hedge. Trim all hedges at planting to ensure neat appearance and promote new growth.

Grass Turf
Lay turf with minimum delay after lifting, within 18 hours during spring and summer and 24 hours autumn and winter. If required stack in piles not higher than 1m.

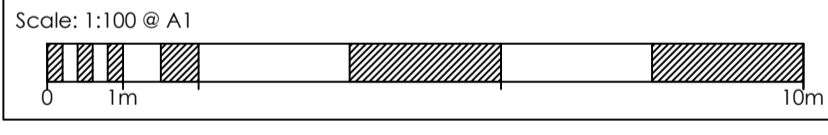
Lay turf with minimum delay after lifting, within 18 hours during spring and summer and 24 hours autumn and winter.

Do not lay turf during persistent cold weather or drying winds or if soil is frost bound, waterlogged or excessively dry.
Prepare topsoil to BS3882:2015, topsoil shall be dry and workable, reduce to a true, even surface, friable and lightly firmed but not over compacted fine fill to a depth of 25mm. Remove surface stones and clods exceeding 15mm. Where required extend cultivation into existing adjacent grass areas sufficient to allow marring in of levels.

Ensure contours are free and flowing with falls for adequate drainage.
Lay turf with broken joints, well butted up. Do not stretch turf.
Edges shall be laid to whole turfs and trimmed to true line.

Remove high spots and fill hollows with fine soil. Lightly and evenly firm as laying proceeds to ensure full contact with substrate. Do not use rollers. Dress with horticultural sand and completely fill all joints.
Lay planks over previously laid turf, do not walk on prepared beds of newly laid turf.

Sheffield Bike Hoops
Width: 715mm
Height: 800mm
Junior stands 2 number are to be 600mm high
Diameter: 48.3mm
Recommended spacing between cycle stands: 800mm
Materials:
Galvanised to BS EN ISO 1461:2009 & Polyester Powder Coated
or
Duracast™ Polyurethane version rust proof with paint finish



A	1. Red line boundary clarified	cjn.	20.07.18
	2. Bike hoops amended		
Revisions		Dwn.	Date

Project
Hallam Fields
Community Hall

Drawing
Landscape Proposals

Status
For Planning, Tender & Construction

Date
13.07.2018

Dwg. No.
18.1378.001

Revision
A

Drawn
cjc

Checked
cjn